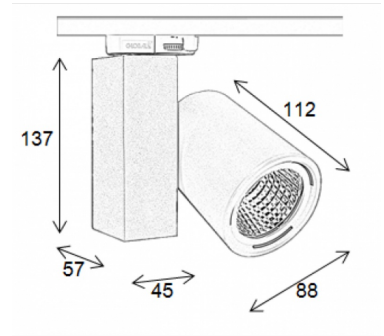




# LED track light silver 3000LM **129.00 €Ex VAT**

## Tracklight spots led



### FEATURES

<b>Brand</b>	Eclairage
<b>Base</b>	
<b>Fitting</b>	No fixing
<b>Color</b>	Gris
<b>Ref</b>	spo-sur-rai-3382
<b>ID</b>	3382
<b>Delivery schedule</b>	1-5 working days
<b>Category</b>	Tracklight spots led
<b>Type</b>	Store lighting

### DETAIL

Don't hesitate to contact us for more information on our pro lighting ranges for your points of sale.  
 Our LED spotlights are guaranteed for 3 years, lifetime 50,000 hours.  
 Are you looking for a modular solution that allows you to adapt your lighting to the configuration and layout of your sales area or do you simply not have a false ceiling?

### DESCRIPTION

**Led spotlights on black rails. 3000LM. This track mounted spotlight** is ideal for highlighting your items in-store. **The silver track lighting** is stylish and functional, equipped with rotating and angled LED track lights. **Features:**

- 540 Watts
- 3000 Lumens
- Color: neutral white
- 4000 Kelvin

LED track light silver 3000LM

## Tracklight spots led - Photo n° 1



### FEATURES

<b>Brand</b>	Eclairage
<b>Base</b>	
<b>Fitting</b>	No fixing
<b>Color</b>	Gris
<b>Ref</b>	spo-sur-rai-3382
<b>ID</b>	3382
<b>Delivery schedule</b>	1-5 working days
<b>Category</b>	Tracklight spots led
<b>Type</b>	Store lighting

### DETAIL

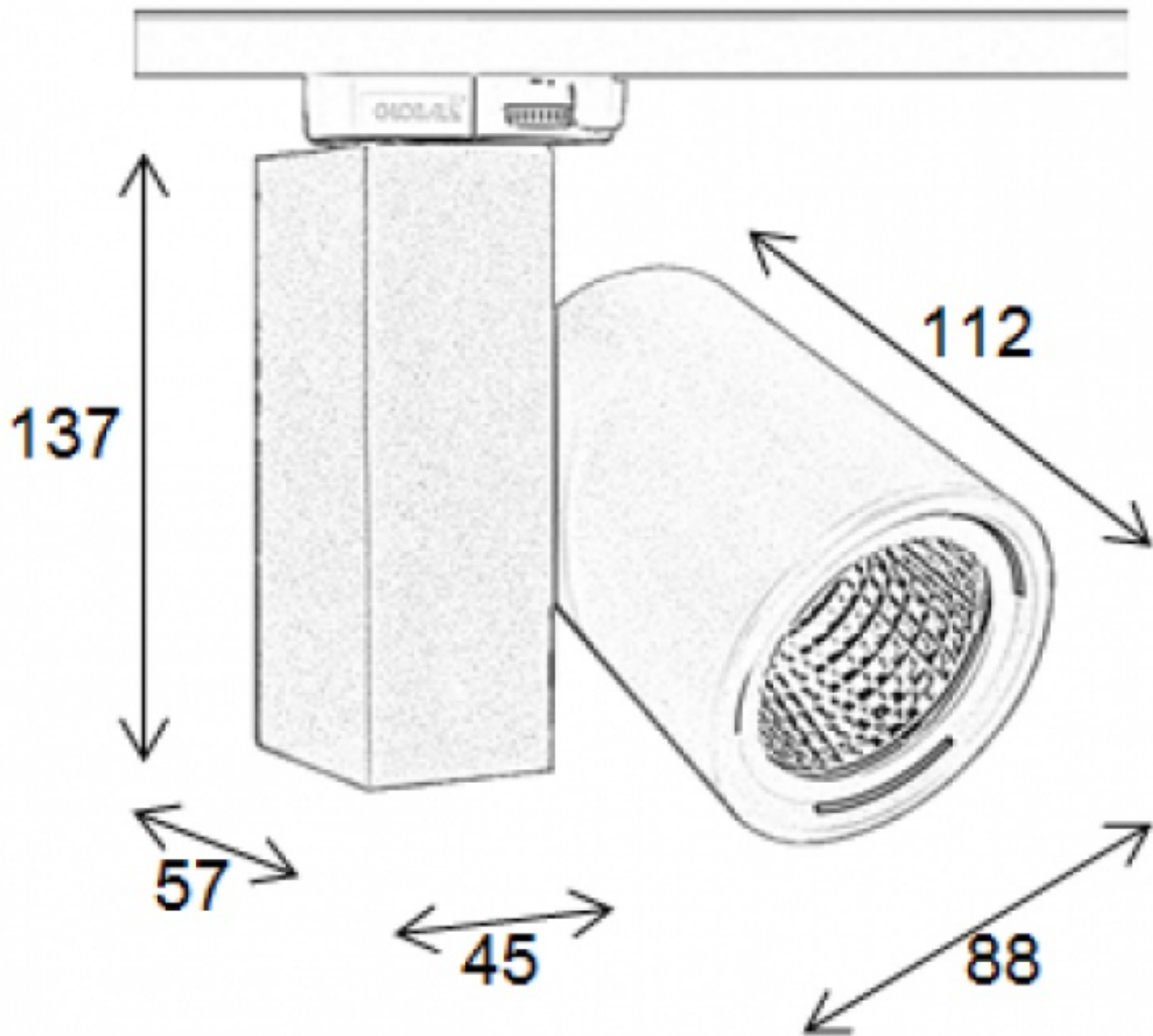
Don't hesitate to contact us for more information on our pro lighting ranges for your points of sale.

Our LED spotlights are guaranteed for 3 years, lifetime 50,000 hours.

Are you looking for a modular solution that allows you to adapt your lighting to the configuration and layout of your sales area or do you simply not have a false ceiling?

**LED track light silver 3000LM**

## Tracklight spots led - Photo n° 2



## FEATURES

<b>Brand</b>	Eclairage
<b>Base Fitting</b>	No fixing
<b>Color</b>	Gris
<b>Ref ID</b>	spo-sur-rai-3382 3382
<b>Delivery schedule</b>	1-5 working days
<b>Category</b>	Tracklight spots led
<b>Type</b>	Store lighting

## DETAIL

Don't hesitate to contact us for more information on our pro lighting ranges for your points of sale.

Our LED spotlights are guaranteed for 3 years, lifetime 50,000 hours.

Are you looking for a modular solution that allows you to adapt your lighting to the configuration and layout of your sales area or do you simply not have a false ceiling?