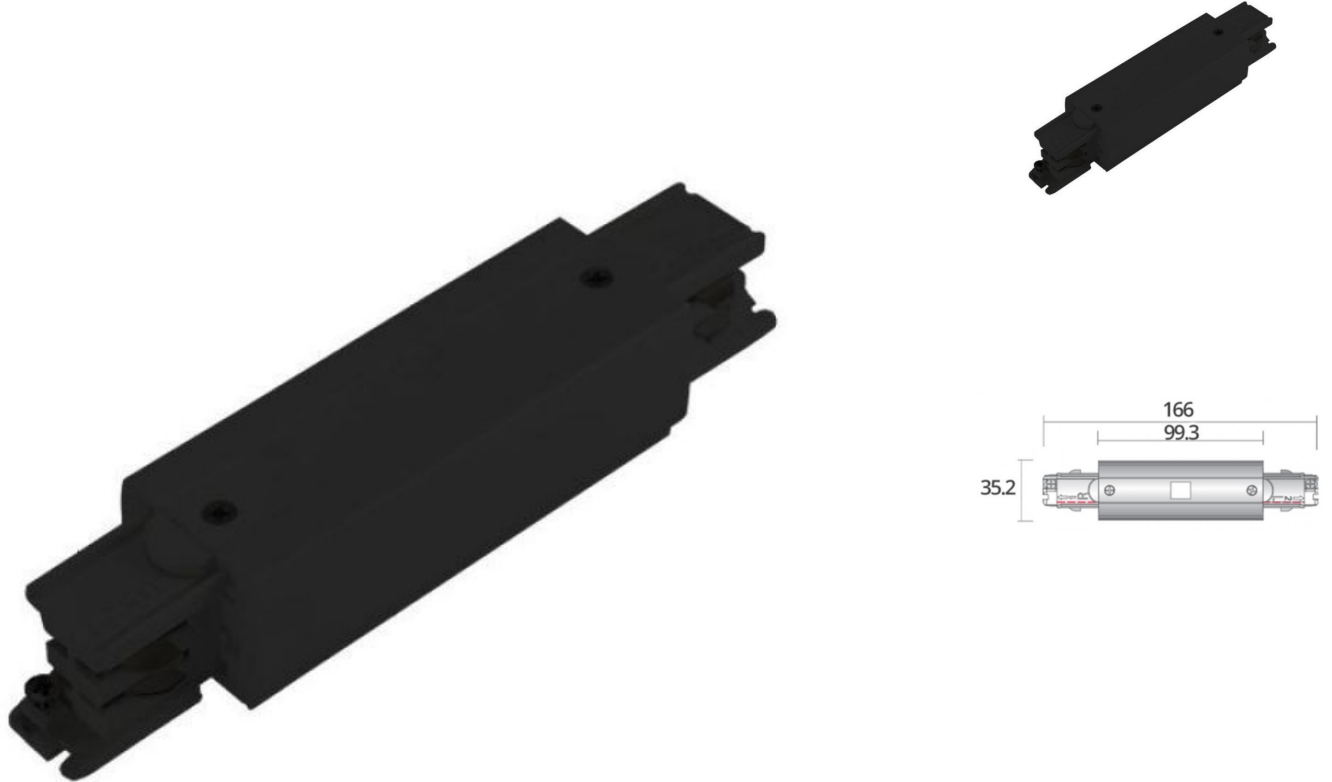




Black connector for three-phase LED track **10.00 €Ex VAT** 3-circuit track system



FEATURES

Brand	Eclairage
Base	
Fitting	
Color	Noir
Ref	con-noi-pou-4012
ID	4012
Delivery schedule	1-5 working days
Category	3-circuit track system
Type	Store lighting

DETAIL

Features:

- **Universal compatibility :** This black connector is compatible with most three-phase LED strips available on the market
- **Installation Simplified :** Thanks to its ergonomic design, installation of this connector is quick and easy, requiring no special tools or special technical skills.
- **Rugged Material :** Made from black plastic, this connector is designed to withstand heavy use and a variety of environmental conditions

DESCRIPTION

Make it easy to extend your **three-phase LED lighting** system with our Black Connector for **three-phase LED rail**. This clever adapter makes it simple to connect two segments of **three-phase LED rail**, offering a convenient solution for extending your existing lighting configuration. Its robust design ensures a secure connection between the rails, providing an even distribution of power for optimum performance of your lighting. **Package content:**

- 1 x Black Connector for Three Phase LED Track Make it easy to extend your three-phase LED lighting installation

Black connector for three-phase LED track

3-circuit track system - Photo n° 1



FEATURES

Brand	Eclairage
Base Fitting	
Color	Noir
Ref	con-noi-pou-4012
ID	4012
Delivery schedule	1-5 working days
Category	3-circuit track system
Type	Store lighting

DETAIL

Features:

- **Universal compatibility :** This black connector is compatible with most three-phase LED strips available on the market
- **Installation Simplified :** Thanks to its ergonomic design, installation of this connector is quick and easy, requiring no special tools or special technical skills.
- **Rugged Material :** Made from black plastic, this connector is designed to withstand heavy use and a variety of environmental conditions

Black connector for three-phase LED track

3-circuit track system - Photo n° 2



FEATURES

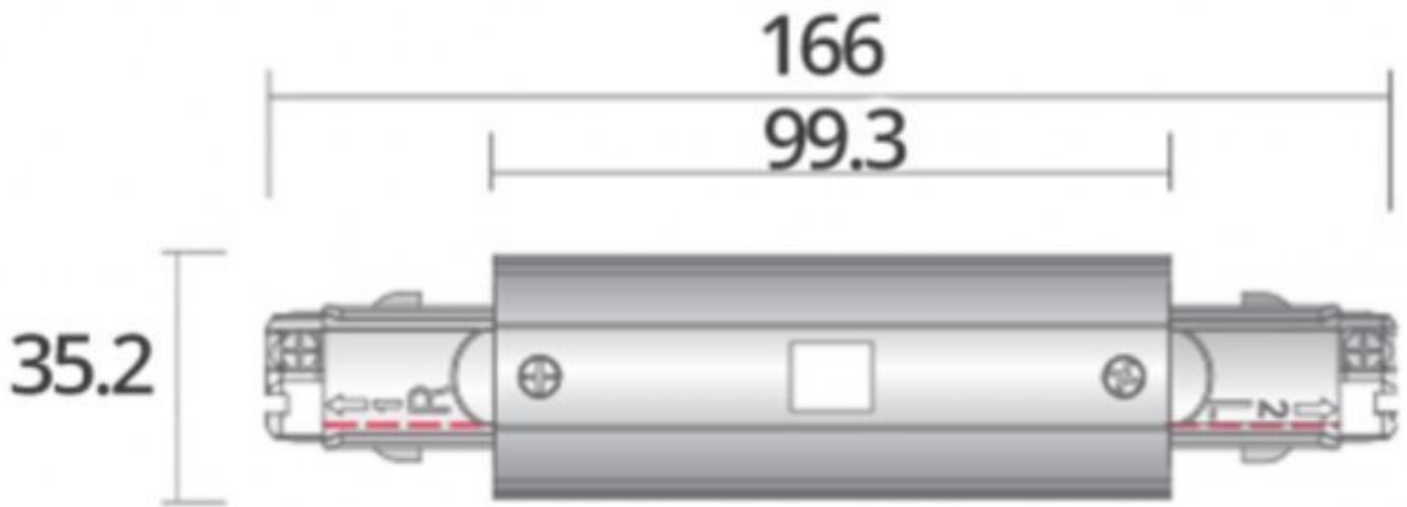
Brand	Eclairage
Base Fitting	
Color	Noir
Ref ID	con-noi-pou-4012 4012
Delivery schedule	1-5 working days
Category	3-circuit track system
Type	Store lighting

DETAIL

Features:

- **Universal compatibility** : This black connector is compatible with most three-phase LED strips available on the market
- **Installation Simplified** : Thanks to its ergonomic design, installation of this connector is quick and easy, requiring no special tools or special technical skills.
- **Rugged Material** : Made from black plastic, this connector is designed to withstand heavy use and a variety of environmental conditions

Black connector for three-phase LED track
3-circuit track system - Photo n° 3



FEATURES

Brand	Eclairage
Base Fitting	
Color	Noir
Ref ID	con-noi-pou-4012 4012
Delivery schedule	1-5 working days
Category	3-circuit track system
Type	Store lighting

DETAIL

Features:

- **Universal compatibility :** This black connector is compatible with most three-phase LED strips available on the market
- **Installation Simplified :** Thanks to its ergonomic design, installation of this connector is quick and easy, requiring no special tools or special technical skills.
- **Rugged Material :** Made from black plastic, this connector is designed to withstand heavy use and a variety of environmental conditions