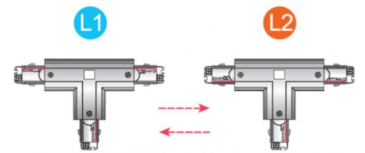
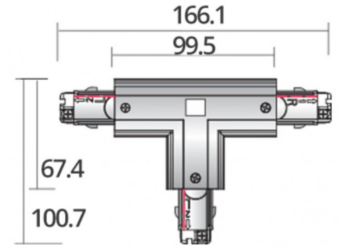
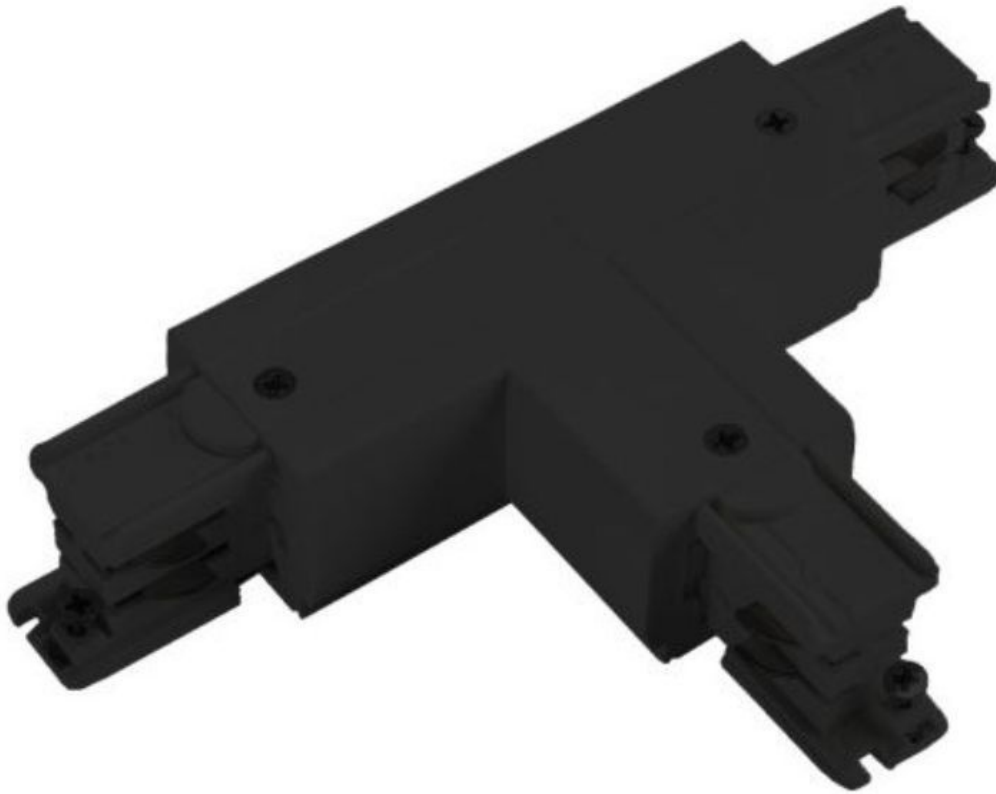




# Black T-connector for three-phase LED track **10.00 €Ex VAT** 3-circuit track system



## FEATURES

|                          |                         |
|--------------------------|-------------------------|
| <b>Brand</b>             | Eclairage               |
| <b>Base Fitting</b>      |                         |
| <b>Color</b>             | Noir                    |
| <b>Ref ID</b>            | con-noi-en-4011<br>4011 |
| <b>Delivery schedule</b> | 1-5 working days        |
| <b>Category</b>          | 3-circuit track system  |
| <b>Type</b>              | Store lighting          |

## DETAIL

### Features:

- **Universal Compatibility:**
- This T-connector is compatible with most three-phase LED rails, providing a universal connection solution for your lighting system.
- **Easy installation:** Simply place this connector between two segments of rail to create a strong and stable connection, without the need for special tools or technical skills.
- **Quality Material:** Made from black plastic, this connector is designed for long-term use in a variety of lighting environments

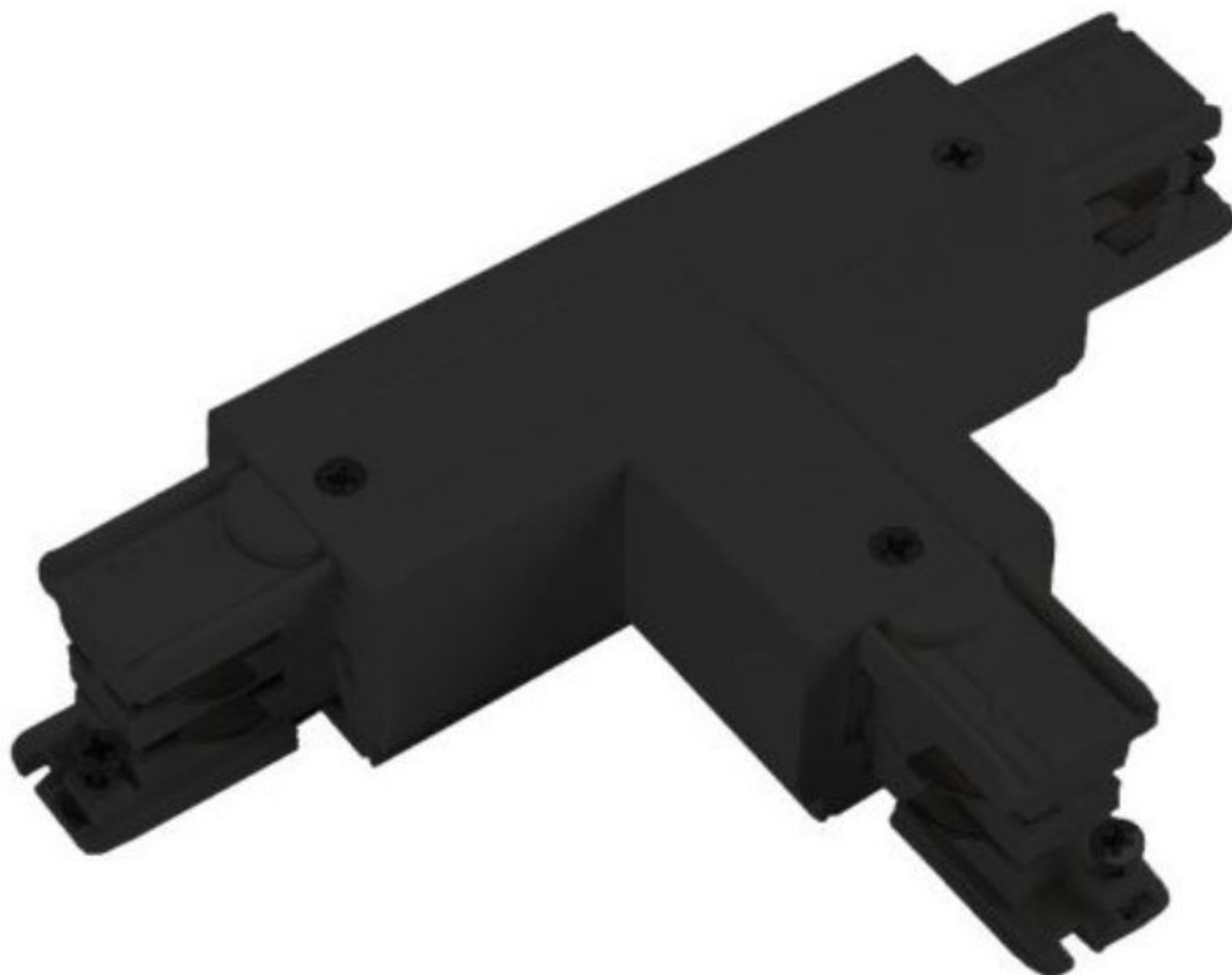
## DESCRIPTION

Optimise the configuration of your **LED lighting three-phase** with our black T-connector for **three-phase LED track**. This handy adapter easily connects two segments of **three-phase LED rail**, providing a flexible solution for extending or modifying your existing lighting system. Its T-shaped design ensures a stable and secure connection, guaranteeing an even distribution of power between the rails. **Packaging content:**

- 1 x Black T Connector for 3 Phase LED Rail - Convenient Adapter Make it easy to expand and modify your three-phase LED lighting system

## Black T-connector for three-phase LED track

## 3-circuit track system - Photo n° 1



### FEATURES

|                          |                        |
|--------------------------|------------------------|
| <b>Brand</b>             | Eclairage              |
| <b>Base</b>              |                        |
| <b>Fitting</b>           |                        |
| <b>Color</b>             | Noir                   |
| <b>Ref</b>               | con-noi-en-4011        |
| <b>ID</b>                | 4011                   |
| <b>Delivery schedule</b> | 1-5 working days       |
| <b>Category</b>          | 3-circuit track system |
| <b>Type</b>              | Store lighting         |

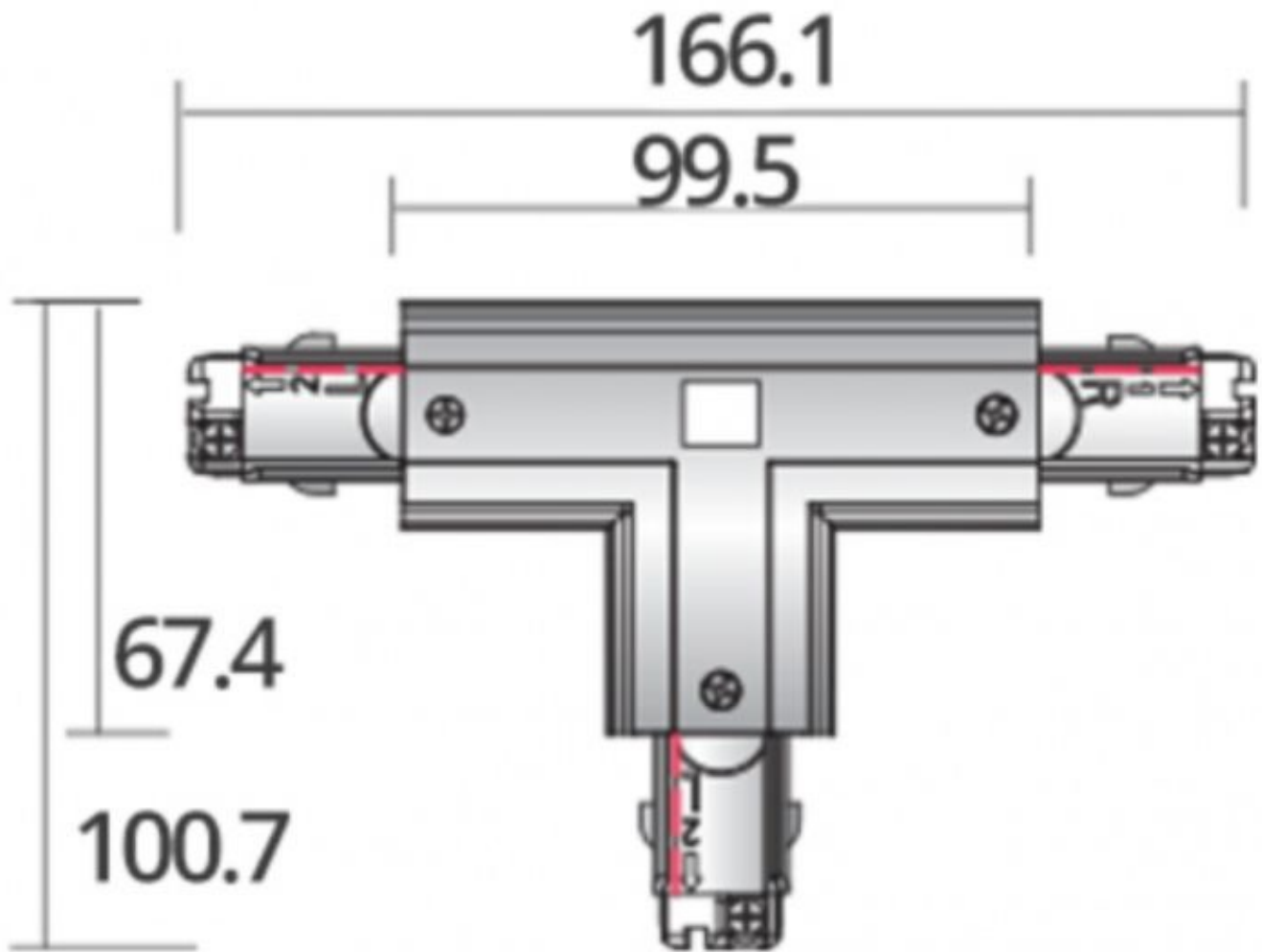
### DETAIL

#### Features:

- **Universal Compatibility:**
- This T-connector is compatible with most three-phase LED rails, providing a universal connection solution for your lighting system.
- **Easy installation:** Simply place this connector between two segments of rail to create a strong and stable connection, without the need for special tools or technical skills.
- **Quality Material:** Made from black plastic, this connector is designed for long-term use in a variety of lighting environments

## Black T-connector for three-phase LED track

## 3-circuit track system - Photo n° 2



## FEATURES

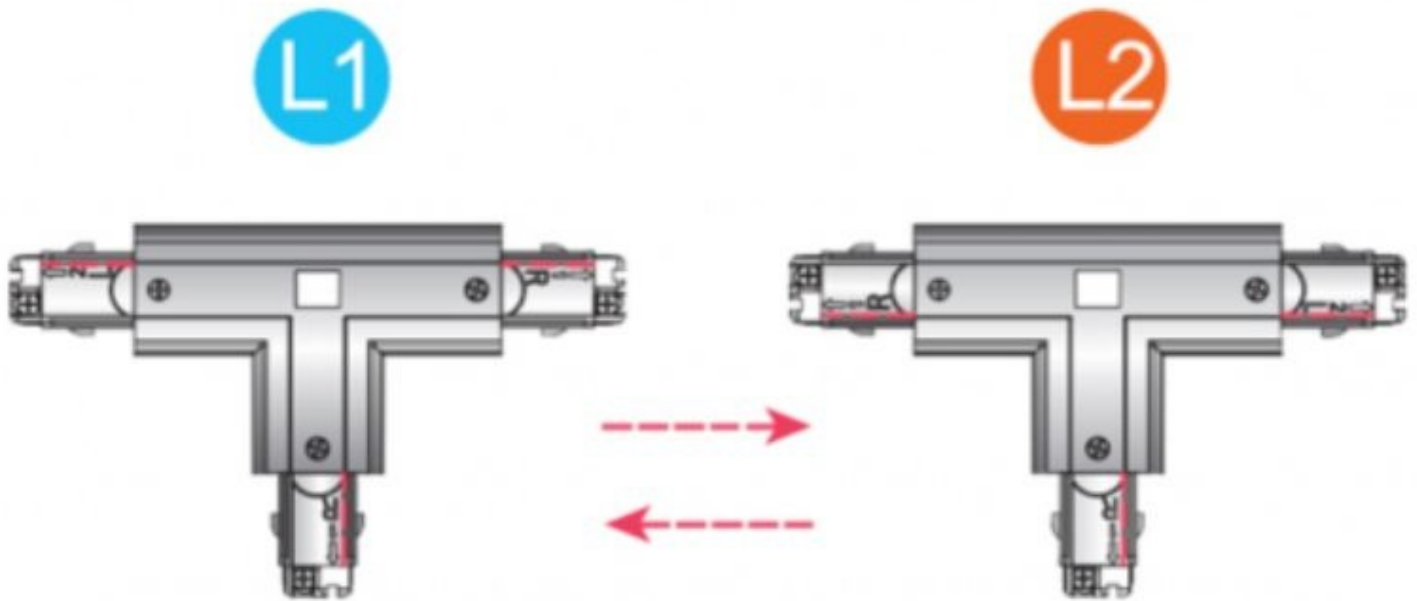
|                          |                         |
|--------------------------|-------------------------|
| <b>Brand</b>             | Eclairage               |
| <b>Base Fitting</b>      |                         |
| <b>Color</b>             | Noir                    |
| <b>Ref ID</b>            | con-noi-en-4011<br>4011 |
| <b>Delivery schedule</b> | 1-5 working days        |
| <b>Category</b>          | 3-circuit track system  |
| <b>Type</b>              | Store lighting          |

## DETAIL

Features:

- **Universal Compatibility:**
- This T-connector is compatible with most three-phase LED rails, providing a universal connection solution for your lighting system.
- **Easy installation:** Simply place this connector between two segments of rail to create a strong and stable connection, without the need for special tools or technical skills.
- **Quality Material:** Made from black plastic, this connector is designed for long-term use in a variety of lighting environments

**Black T-connector for three-phase LED track**  
**3-circuit track system - Photo n° 3**



## FEATURES

|                          |                         |
|--------------------------|-------------------------|
| <b>Brand</b>             | Eclairage               |
| <b>Base Fitting</b>      |                         |
| <b>Color</b>             | Noir                    |
| <b>Ref ID</b>            | con-noi-en-4011<br>4011 |
| <b>Delivery schedule</b> | 1-5 working days        |
| <b>Category</b>          | 3-circuit track system  |
| <b>Type</b>              | Store lighting          |

## DETAIL

### Features:

- **Universal Compatibility:**
- This T-connector is compatible with most three-phase LED rails, providing a universal connection solution for your lighting system.
- **Easy installation:** Simply place this connector between two segments of rail to create a strong and stable connection, without the need for special tools or technical skills.
- **Quality Material:** Made from black plastic, this connector is designed for long-term use in a variety of lighting environments