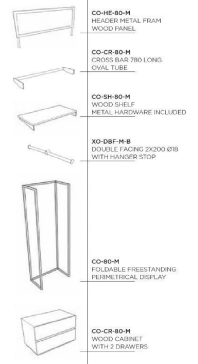




# Wall cabinet with shelves and hanging space H220x160x47

## Gondolas for stores

### 1 695.00 €Ex VAT



## FEATURES

<b>Brand</b>	Mobilier shopping
<b>Base</b>	
<b>Fitting</b>	No fixing
<b>Color</b>	Noir
<b>Ref</b>	meu-mur-ave-2913
<b>ID</b>	2913
<b>Delivery schedule</b>	1-5 working days
<b>Category</b>	Gondolas for stores
<b>Type</b>	Store furniture

## DETAIL

This wall unit for store, trade and showroom is delivered in flat boxes

- features :
- 2 black epoxy metal frames
  - 2 facing up to present your brand
  - 3 shelves
  - 3 hanging bars
  - 4 double bars for facing
  - 2 single bar for facing
  - 1 box with 2 drawers

## DESCRIPTION

**Modular wall cabinet** in black epoxy metal with shelves, wardrobe shelf and box to dress your store. This collection of wall furniture is particularly suitable for the presentation of textiles offering shelves, facings, shelves, wardrobe, storage boxes, signage, branding ...

Durable, solid, this **Modular wall cabinet** allows you to easily organize, arrange and dress your shop.

Materials: wood, black epoxy metal

Weight: 17 kgs x2

**Dimension:** L160 x H220 x W47 cm

For other configurations and colors, please consult us for a quote.

Weight of box: 19 kgs x2

Carton dimensions: 181 x 122 x 110 cm x 2

# Wall cabinet with shelves and hanging space H220x160x47

## Gondolas for stores - Photo n° 1



### FEATURES

<b>Brand</b>	Mobilier shopping
<b>Base</b>	
<b>Fitting</b>	No fixing
<b>Color</b>	Noir
<b>Ref</b>	meu-mur-ave-2913
<b>ID</b>	2913
<b>Delivery schedule</b>	1-5 working days
<b>Category</b>	Gondolas for stores
<b>Type</b>	Store furniture

### DETAIL

This wall unit for store, trade and showroom is delivered in flat boxes

features :

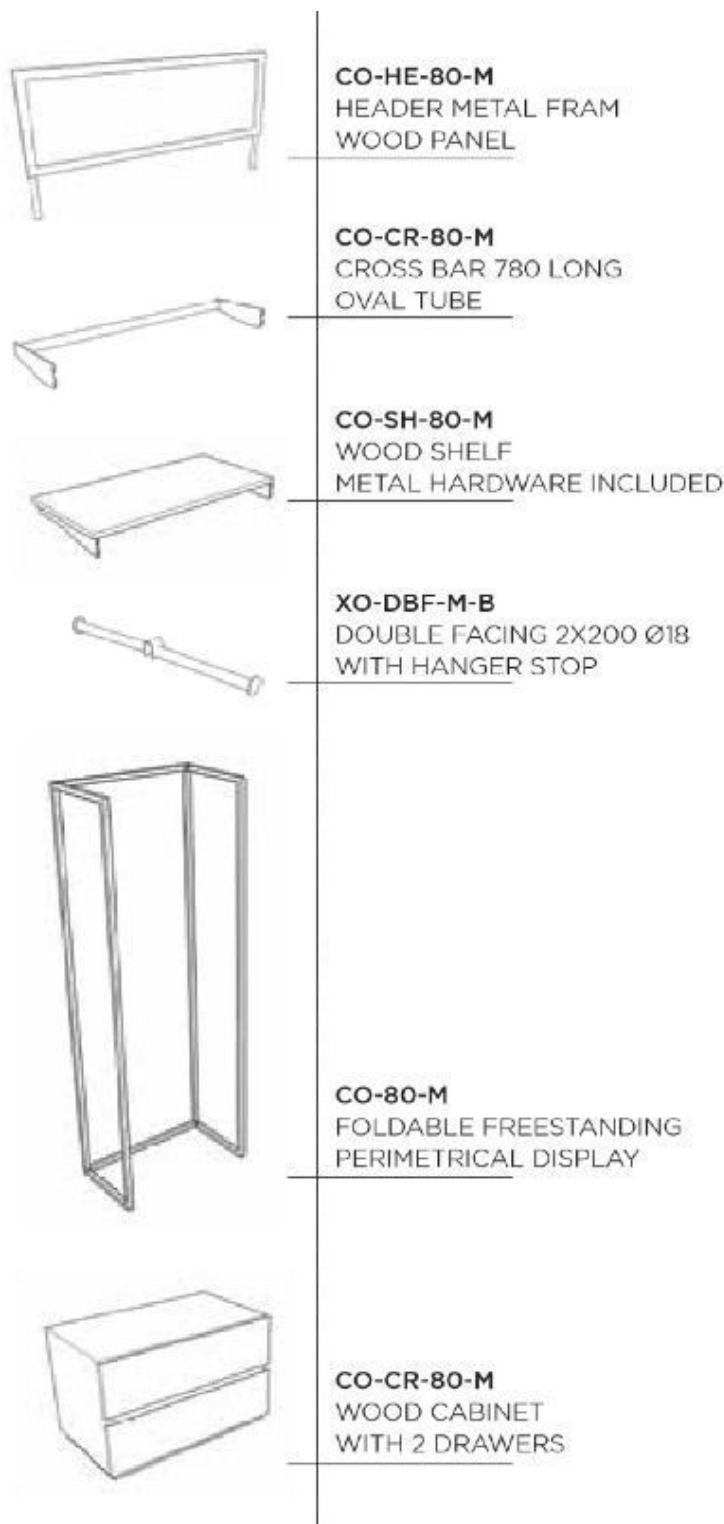
- 2 black epoxy metal frames
- 2 facing up to present your brand
- 3 shelves
- 3 hanging bars
- 4 double bars for facing
- 2 single bar for facing
- 1 box with 2 drawers

# Wall cabinet with shelves and hanging space H220x160x47

The modularity of these shelves offers you many possibilities to showcase clothes, objects or to place in your store or showroom

## Gondolas for stores - Photo n° 2

For other configurations and colors please consult us for a quote.



### FEATURES

<b>Brand</b>	Mobilier shopping
<b>Base</b>	
<b>Fitting</b>	No fixing
<b>Color</b>	Noir
<b>Ref</b>	meu-mur-ave-2913
<b>ID</b>	2913
<b>Delivery schedule</b>	1-5 working days
<b>Category</b>	Gondolas for stores
<b>Type</b>	Store furniture

### DETAIL

This wall unit for store, trade and showroom is delivered in flat boxes

features :

- 2 black epoxy metal frames
- 2 facing up to present your brand
- 3 shelves
- 3 hanging bars
- 4 double bars for facing
- 2 single bar for facing
- 1 box with 2 drawers

## Wall cabinet with shelves and hanging space H220x160x47

## Gondolas for stores - Photo n° 3

The modularity of these shelves offers you many possibilities to showcase  
tools, objects or to use in your store or showroom.

For other configurations and colors please consult us for a quote.



## FEATURES

<b>Brand</b>	Mobilier shopping
<b>Base</b>	
<b>Fitting</b>	No fixing
<b>Color</b>	Noir
<b>Ref</b>	meu-mur-ave-2913
<b>ID</b>	2913
<b>Delivery schedule</b>	1-5 working days
<b>Category</b>	Gondolas for stores
<b>Type</b>	Store furniture

## DETAIL

This wall unit for store, trade and showroom is delivered in flat boxes

features :

- 2 black epoxy metal frames
- 2 facing up to present your brand
- 3 shelves
- 3 hanging bars
- 4 double bars for facing
- 2 single bar for facing
- 1 box with 2 drawers

**Wall cabinet with shelves and hanging space H220x160x47**

**Gondolas for stores - Photo n° 4**

The modularity of these shelves offers you many possibilities to showcase clothes, objects or to place in your store or showroom.

For other configurations and colors please consult us for a quote.





## FEATURES

<b>Brand</b>	Mobilier shopping
<b>Base</b>	
<b>Fitting</b>	No fixing
<b>Color</b>	Noir
<b>Ref</b>	meu-mur-ave-2913
<b>ID</b>	2913
<b>Delivery schedule</b>	1-5 working days
<b>Category</b>	Gondolas for stores
<b>Type</b>	Store furniture

## DETAIL

This wall unit for store, trade and showroom is delivered in flat boxes

features :

- 2 black epoxy metal frames
- 2 facing up to present your brand
- 3 shelves
- 3 hanging bars
- 4 double bars for facing
- 2 single bar for facing
- 1 box with 2 drawers

**Wall cabinet with shelves and hanging space. H220xL60x47**

**Gondolas for stores - Photo n°5**

The modularity of these shelves offers you many possibilities to showcase your products in your store or showroom.

For other configurations and colors please consult us for a quote.



## FEATURES

<b>Brand</b>	Mobilier shopping
<b>Base</b>	
<b>Fitting</b>	No fixing
<b>Color</b>	Noir
<b>Ref</b>	meu-mur-ave-2913
<b>ID</b>	2913
<b>Delivery schedule</b>	1-5 working days
<b>Category</b>	Gondolas for stores
<b>Type</b>	Store furniture

## DETAIL

This wall unit for store, trade and showroom is delivered in flat boxes

features :

- 2 black epoxy metal frames
- 2 facing up to present your brand
- 3 shelves
- 3 hanging bars
- 4 double bars for facing
- 2 single bar for facing
- 1 box with 2 drawers

**Wall cabinet with shelves and hanging space H220x160x47**

**Gondolas for stores - Photo n° 6**

The modularity of these shelves offers you many possibilities to showcase clothes, objects or to place in your store or showroom.

For other configurations and colors please consult us for a quote.



## FEATURES

<b>Brand</b>	Mobilier shopping
<b>Base</b>	
<b>Fitting</b>	No fixing
<b>Color</b>	Noir
<b>Ref</b>	meu-mur-ave-2913
<b>ID</b>	2913
<b>Delivery schedule</b>	1-5 working days
<b>Category</b>	Gondolas for stores
<b>Type</b>	Store furniture

## DETAIL

This wall unit for store, trade and showroom is delivered in flat boxes

features :

- 2 black epoxy metal frames
- 2 facing up to present your brand
- 3 shelves
- 3 hanging bars
- 4 double bars for facing
- 2 single bar for facing
- 1 box with 2 drawers

**Wall cabinet with shelves and hanging space H220x160x47**  
**Gondolas for stores - Photo n° 7**

The modularity of these shelves offers you many possibilities to showcase  
 clothes, jewelry, books, etc. in your store or showroom.

For other configurations and colors please consult us for a quote.







## FEATURES

<b>Brand</b>	Mobilier shopping
<b>Base</b>	
<b>Fitting</b>	No fixing
<b>Color</b>	Noir
<b>Ref</b>	meu-mur-ave-2913
<b>ID</b>	2913
<b>Delivery schedule</b>	1-5 working days
<b>Category</b>	Gondolas for stores
<b>Type</b>	Store furniture

## DETAIL

This wall unit for store, trade and showroom is delivered in flat boxes

features :

- 2 black epoxy metal frames
- 2 facing up to present your brand
- 3 shelves
- 3 hanging bars
- 4 double bars for facing
- 2 single bar for facing
- 1 box with 2 drawers

The modularity of these shelves offers you many possibilities to showcase clothes, objects or textiles in your store or showroom.

For other configurations and colors please consult us for a quote.