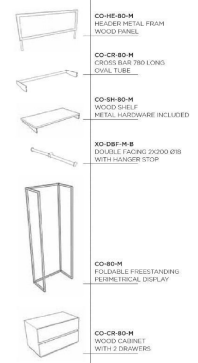




Wall cabinet single unit with shelves facing H220x80x47

Gondolas for stores

792.00 €Ex VAT



FEATURES

Brand	Mobilier shopping
Base	
Fitting	No fixing
Color	Noir
Ref	meu-mur-ave-2914
ID	2914
Delivery schedule	1-5 working days
Category	Gondolas for stores
Type	Store furniture

DETAIL

This wall unit for store, trade and showroom is delivered in flat boxes

He understands :

- 1 black epoxy metal frame
- 1 facing up to present your brand
- 1 shelf
- 2 hanging bars
- 4 double bars for facing
- 1 box with 2 drawers

The modularity of these shelves made of wood and metal offers you many

DESCRIPTION

For other configurations and colors please consult us for a quote.
Modular wall cabinet in black epoxy metal with shelves, wardrobe, shelf and box to dress your **store**.
 This collection of wall furniture is particularly suitable for the presentation of textiles offering shelves, facings, shelves, wardrobe, storage boxes, signage, branding ...

Durable, solid, this **modular wall cabinet** allows you to easily organize, arrange and dress your shop. Materials: wood, black epoxy metal

Weight: 17 kgs

Dimension: L80 x H220 x d47 cm

Weight of box: 19 kgs

Weight of item: 20 kg
Carton dimension: L85 x H225 x D10 cm

Wall cabinet single unit with shelves facing H220x80x47

Gondolas for stores - Photo n° 1



FEATURES

Brand	Mobilier shopping
Base	
Fitting	No fixing
Color	Noir
Ref	meu-mur-ave-2914
ID	2914
Delivery schedule	1-5 working days
Category	Gondolas for stores
Type	Store furniture

DETAIL

This wall unit for store, trade and showroom is delivered in flat boxes

He understands :

- 1 black epoxy metal frame
- 1 facing up to present your brand
- 1 shelf
- 2 hanging bars
- 4 double bars for facing
- 1 box with 2 drawers

The modularity of these shelves made of wood and metal offers you many possibilities to showcase clothes, objects or textiles in your store or showroom.

For other configurations and colors please consult us for a quote.

Wall cabinet single unit with shelves facing H220x80x47



FEATURES

Brand	Mobilier shopping
Base	
Fitting	No fixing
Color	Noir
Ref	meu-mur-ave-2914
ID	2914
Delivery schedule	1-5 working days
Category	Gondolas for stores
Type	Store furniture

DETAIL

This wall unit for store, trade and showroom is delivered in flat boxes

He understands :

- 1 black epoxy metal frame
- 1 facing up to present your brand
- 1 shelf
- 2 hanging bars
- 4 double bars for facing
- 1 box with 2 drawers

The modularity of these shelves made of wood and metal offers you many possibilities to showcase clothes, objects or textiles in your store or showroom.

For other configurations and colors please consult us for a quote.

Wall cabinet single unit with shelves facing H220x80x47



FEATURES

Brand	Mobilier shopping
Base	
Fitting	No fixing
Color	Noir
Ref	meu-mur-ave-2914
ID	2914
Delivery schedule	1-5 working days
Category	Gondolas for stores
Type	Store furniture

DETAIL

This wall unit for store, trade and showroom is delivered in flat boxes

He understands :

- 1 black epoxy metal frame
- 1 facing up to present your brand
- 1 shelve
- 2 hanging bars
- 4 double bars for facing
- 1 box with 2 drawers

The modularity of these shelves made of wood and metal offers you many possibilities to showcase clothes, objects or textiles in your store or showroom.

For other configurations and colors please consult us for a quote.

Wall cabinet single unit with shelves facing H220x80x47

Gondolas for stores - Photo n° 4



CO-HE-80-M
HEADER METAL FRAM
WOOD PANEL



FEATURES

Brand	Mobilier shopping
Base	
Fitting	No fixing
Color	Noir
Ref	meu-mur-ave-2914
ID	2914
Delivery schedule	1-5 working days
Category	Gondolas for stores
Type	Store furniture

DETAIL

This wall unit for store, trade and showroom is delivered in flat boxes

He understands :

- 1 black epoxy metal frame
- 1 facing up to present your brand
- 1 shelf
- 2 hanging bars
- 4 double bars for facing
- 1 box with 2 drawers

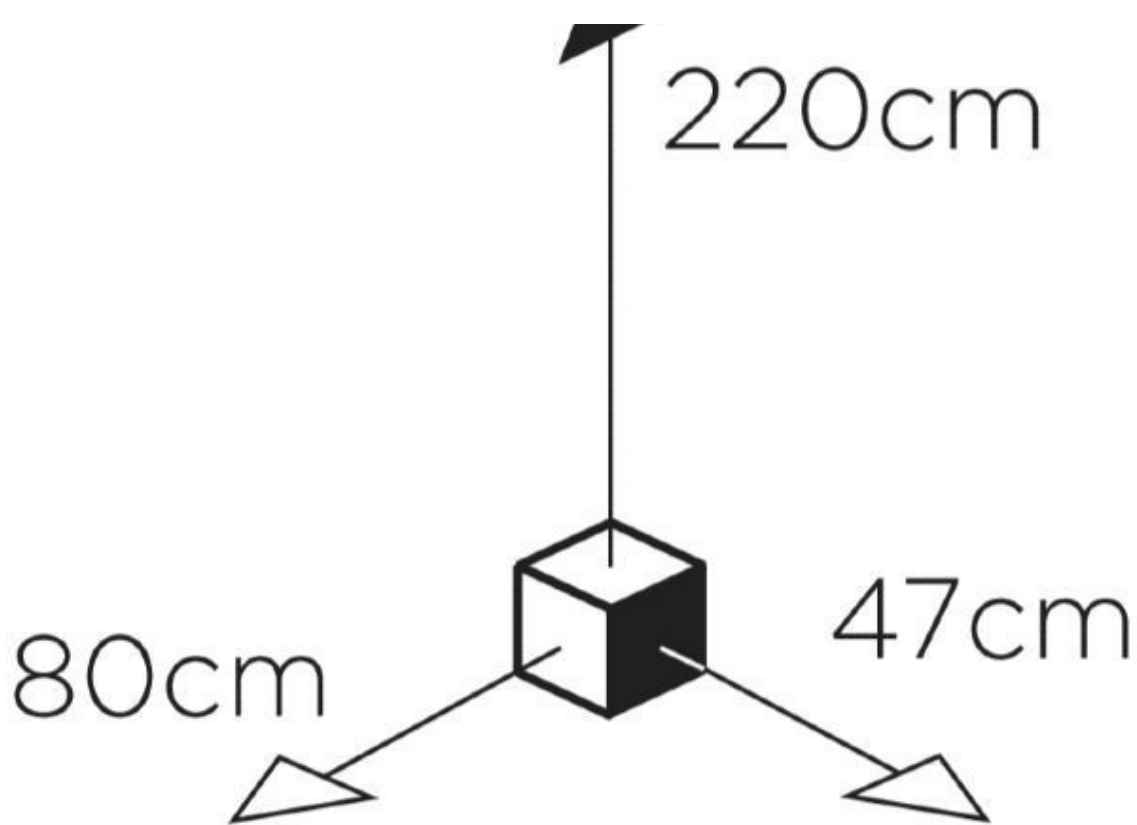
The modularity of these shelves made of wood and metal offers you many possibilities to showcase clothes, objects or textiles in your store or showroom.

For other configurations and colors please consult us for a quote.

Wall cabinet single unit with shelves facing H220x80x47

Gondolas for stores - Photo n° 5





FEATURES

Brand	Mobilier shopping
Base	
Fitting	No fixing
Color	Noir
Ref	meu-mur-ave-2914
ID	2914
Delivery schedule	1-5 working days
Category	Gondolas for stores
Type	Store furniture

DETAIL

This wall unit for store, trade and showroom is delivered in flat boxes

He understands :

- 1 black epoxy metal frame
- 1 facing up to present your brand
- 1 shelve
- 2 hanging bars
- 4 double bars for facing
- 1 box with 2 drawers

The modularity of these shelves made of wood and metal offers you many possibilities to showcase clothes, objects or textiles in your store or showroom.

For other configurations and colors please consult us for a quote.