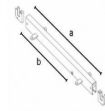


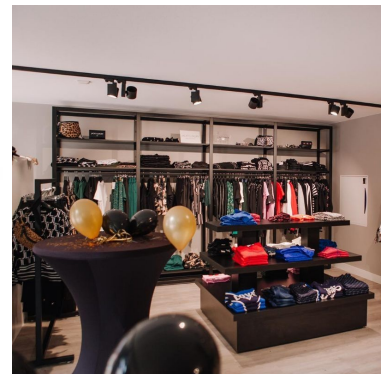
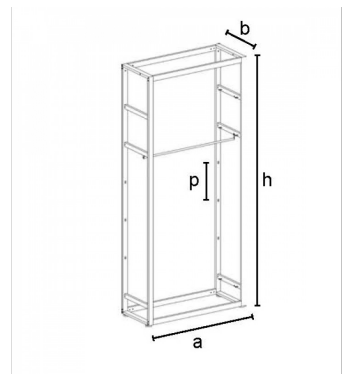


Store gondola bigshop Black H 240 x 108 x 45 cm **658.90 €Ex VAT**

Gondolas for stores



Information		
mm	Kg	Pcs
a = 400	0.62	1/pack
b = 280		



FEATURES

Brand	Mobilier shopping
Base	
Fitting	
Color	Noir
Ref	sto-gon-big-3598
ID	3598
Delivery schedule	1-5 working days
Category	Gondolas for stores
Type	Store furniture

DETAIL

To make profitable your sales area, Mannequins Shopping offers you simple gondolas, double gondolas, gondolas with shelves or hooks to present the products of your store We also have wall gondolas, central gondolas or corner gondolas. Our store gondolas are available in different materials: metal, wood or galvanized steel. The wide variety of sizes and colors of our gondolas will meet the equipment needs of your store. On Mannequins Shopping, you get gondolas at a lower cost.

DESCRIPTION

Store gondola bigshop 240 cm black
Bigshop clothes rack 240 cm 8804
Modular system 2400 x 442 x 1072 mm
with 1 suspension support and 3 shelves
shelves are not included

Store gondola bigshop Black H 240 x 108 x 45 cm

Gondolas for stores - Photo n° 1



FEATURES

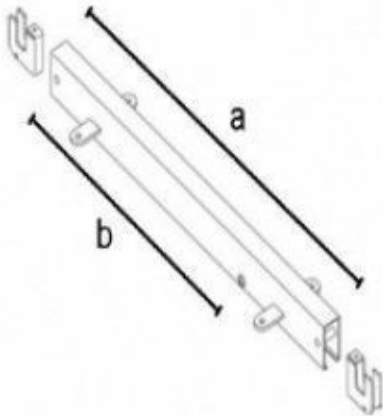
Brand	Mobilier shopping
Base	
Fitting	
Color	Noir
Ref	sto-gon-big-3598
ID	3598
Delivery schedule	1-5 working days
Category	Gondolas for stores
Type	Store furniture

DETAIL

To make profitable your sales area, Mannequins Shopping offers you simple gondolas, double gondolas, gondolas with shelves or hooks to present the products of your store. We also have wall gondolas, central gondolas or corner gondolas. Our store gondolas are available in different materials: metal, wood or galvanized steel. The wide variety of sizes and colors of our gondolas will meet the equipment needs of your store. On Mannequins Shopping, you get gondolas at a lower cost.

Store gondola bigshop Black H 240 x 108 x 45 cm

Gondolas for stores - Photo n° 2



Information



a = 400
b = 280



0.62



1/pack

FEATURES

Brand	Mobilier shopping
Base Fitting	
Color	Noir
Ref ID	sto-gon-big-3598 3598
Delivery schedule	1-5 working days
Category	Gondolas for stores
Type	Store furniture

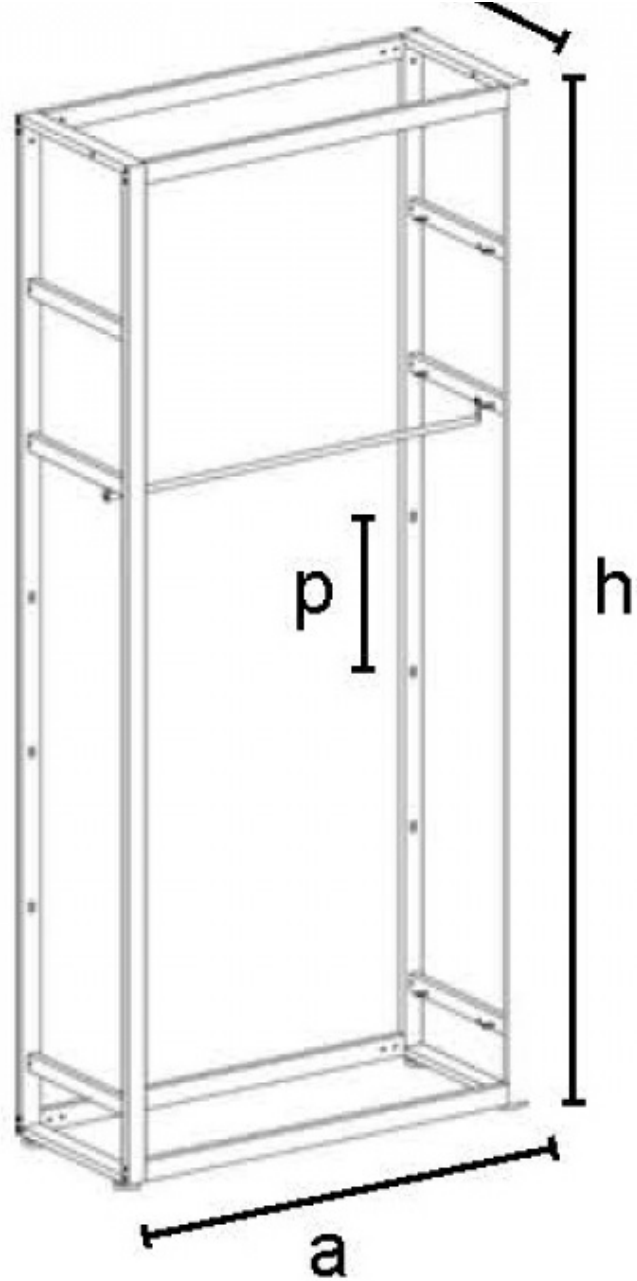
DETAIL

To make profitable your sales area, Mannequins Shopping offers you simple gondolas, double gondolas, gondolas with shelves or hooks to present the products of your store. We also have wall gondolas, central gondolas or corner gondolas. Our store gondolas are available in different materials: metal, wood or galvanized steel. The wide variety of sizes and colors of our gondolas will meet the equipment needs of your store. On Mannequins Shopping, you get gondolas at a lower cost.

Store gondola bigshop Black H 240 x 108 x 45 cm

Gondolas for stores - Photo n° 3

1 b



FEATURES

Brand	Mobilier shopping
Base Fitting	
Color	Noir
Ref ID	sto-gon-big-3598 3598
Delivery schedule	1-5 working days
Category	Gondolas for stores
Type	Store furniture

DETAIL

To make profitable your sales area, Mannequins Shopping offers you simple gondolas, double gondolas, gondolas with shelves or hooks to present the products of your store. We also have wall gondolas, central gondolas or corner gondolas. Our store gondolas are available in different materials: metal, wood or galvanized steel. The wide variety of sizes and colors of our gondolas will meet the equipment needs of your store. On Mannequins Shopping, you get gondolas at a lower cost.

Store gondola bigshop Black H 240 x 108 x 45 cm

Gondolas for stores - Photo n° 4



FEATURES

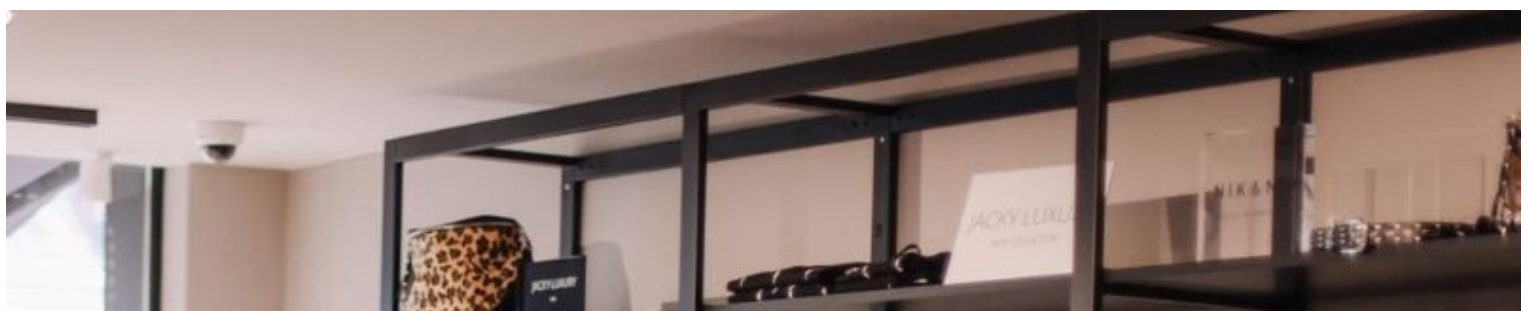
Brand	Mobilier shopping
Base	
Fitting	
Color	Noir
Ref ID	sto-gon-big-3598 3598
Delivery schedule	1-5 working days
Category	Gondolas for stores
Type	Store furniture

DETAIL

To make profitable your sales area, Mannequins Shopping offers you simple gondolas, double gondolas, gondolas with shelves or hooks to present the products of your store. We also have wall gondolas, central gondolas or corner gondolas. Our store gondolas are available in different materials: metal, wood or galvanized steel. The wide variety of sizes and colors of our gondolas will meet the equipment needs of your store. On Mannequins Shopping, you get gondolas at a lower cost.

Store gondola bigshop Black H 240 x 108 x 45 cm

Gondolas for stores - Photo n° 5





FEATURES

Brand	Mobilier shopping
Base	
Fitting	
Color	Noir
Ref ID	sto-gon-big-3598 3598
Delivery schedule	1-5 working days
Category	Gondolas for stores
Type	Store furniture

DETAIL

To make profitable your sales area, Mannequins Shopping offers you simple gondolas, double gondolas, gondolas with shelves or hooks to present the products of your store We also have wall gondolas, central gondolas or corner gondolas. Our store gondolas are available in different materials: metal, wood or galvanized steel. The wide variety of sizes and colors of our gondolas will meet the equipment needs of your store. On Mannequins Shopping, you get gondolas at a lower cost.

Store gondola bigshop Black H 240 x 108 x 45 cm

Gondolas for stores - Photo n° 6





FEATURES

Brand	Mobilier shopping
Base	
Fitting	
Color	Noir
Ref	sto-gon-big-3598
ID	3598
Delivery schedule	1-5 working days
Category	Gondolas for stores
Type	Store furniture

DETAIL

To make profitable your sales area, Mannequins Shopping offers you simple gondolas, double gondolas, gondolas with shelves or hooks to present the products of your store. We also have wall gondolas, central gondolas or corner gondolas. Our store gondolas are available in different materials: metal, wood or galvanized steel. The wide variety of sizes and colors of our gondolas will meet the equipment needs of your store. On Mannequins Shopping, you get gondolas at a lower cost.

Store gondola bigshop Black H 240 x 108 x 45 cm

Gondolas for stores - Photo n° 7





FEATURES

Brand	Mobilier shopping
Base	
Fitting	
Color	Noir
Ref	sto-gon-big-3598
ID	3598
Delivery schedule	1-5 working days
Category	Gondolas for stores
Type	Store furniture

DETAIL

To make profitable your sales area, Mannequins Shopping offers you simple gondolas, double gondolas, gondolas with shelves or hooks to present the products of your store. We also have wall gondolas, central gondolas or corner gondolas. Our store gondolas are available in different materials: metal, wood or galvanized steel. The wide variety of sizes and colors of our gondolas will meet the equipment needs of your store. On Mannequins Shopping, you get gondolas at a lower cost.

Store gondola bigshop Black H 240 x 108 x 45 cm

Gondolas for stores - Photo n° 8





FEATURES

Brand	Mobilier shopping
Base	
Fitting	
Color	Noir
Ref	sto-gon-big-3598
ID	3598
Delivery schedule	1-5 working days
Category	Gondolas for stores
Type	Store furniture

DETAIL

To make profitable your sales area, Mannequins Shopping offers you simple gondolas, double gondolas, gondolas with shelves or hooks to present the products of your store. We also have wall gondolas, central gondolas or corner gondolas. Our store gondolas are available in different materials: metal, wood or galvanized steel. The wide variety of sizes and colors of our gondolas will meet the equipment needs of your store. On Mannequins Shopping, you get gondolas at a lower cost.